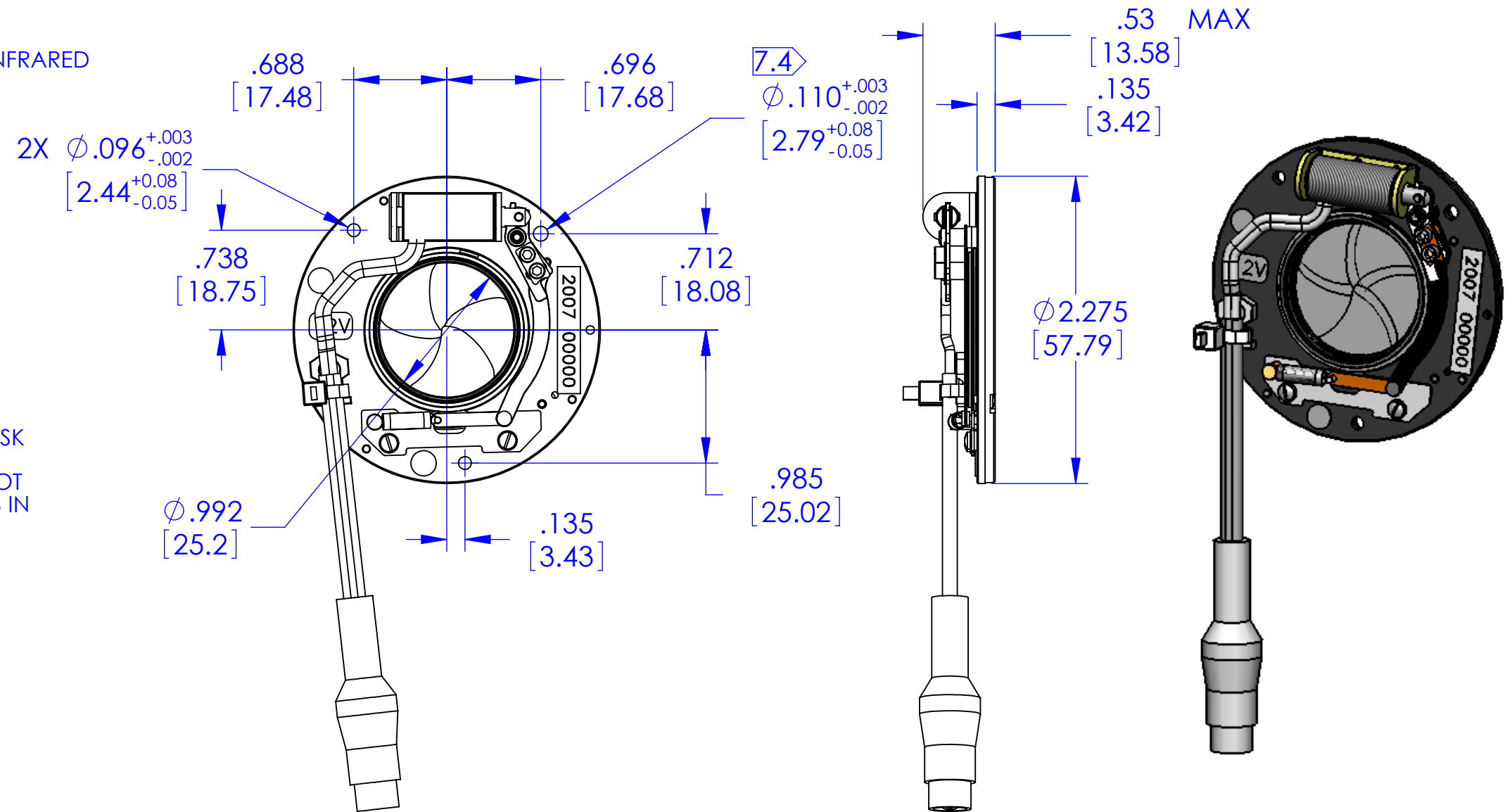


REVISION HISTORY						
ZONE	REV.	BY	DESCRIPTION	DATE	ECO	APPROVAL
	A	WJ	RELEASED FOR PRODUCTION	4/19/2006		

**NOTES:**

- 1.0 DESCRIPTION: EXTREME SERVICE SHUTTER FOR HARSH ENVIRONMENTAL CONDITIONS, NORMALLY CLOSED, 12 VOLT, WITH CORD FOR CONNECTION TO MELLES GRIOT SHUTTER CONTROLLER.
- 2.0 CLEAR APERTURE: .992 [25.2]
- 3.0 MAXIMUM SPEED: 1/60 SEC.
- 4.0 SHUTTER BLADES:
  - 4.1 NUMBER: 5
  - 4.2 COATING: COATED FOR HIGH EMISSIVITY IN THE INFRARED SPECTRAL REGION
- 5.0 ELECTRICAL:
  - 5.1 RATED SOLENOID VOLTAGE: 12VDC
  - 5.2 PEAK PULSE CURRENT: 1.0A
  - 5.3 RESISTANCE: 50 OHMS, NOMINAL
  - 5.4 INDUCTANCE: 55mH, NOMINAL
  - 5.5 HOLDING CURRENT: 120mA
  - 5.6 POWER CORD LENGTH: 12 [305]
- 6.0 OPERATING TEMPERATURE: -40°C TO +70°C
- 7.0 SHUTTER MOUNTING:
  - 7.1 SUGGESTED MOUNTING SCREWS: #2 (INCH) OR M2 (METRIC) SOCKET HEAD CAP SCREWS.
  - 7.2 MAXIMUM SCREW TORQUE: 25 OZ.-IN.
  - 7.3 DO NOT USE LIQUID THREAD LOCKER. (DUE TO RISK OF SHUTTER CONTAMINATION)
  - 7.4 VERIFY MOUNTING SCREW IN THIS AREA DOES NOT INTERFERE WITH THE SHUTTER DRIVE COMPONENTS IN THE ACTUATED OR UNACTUATED CONDITION.
- 8.0 DIMENSIONS ARE IN: INCHES [MILLIMETERS]
- 9.0 UNLESS OTHERWISE NOTED, ALL DIMENSIONS ARE NOMINAL.



UNLESS OTHERWISE SPECIFIED:  
 ALL DIMENSIONS ARE IN INCHES  
 DIMENSIONS APPLY AFTER FINISH  
 BREAK SHARP EDGES: 0.005 X 45°  
 MAX FILET RADIUS: 0.010  
 SURFACE FINISH: 32  $\sqrt$

TOLERANCES:  
 .X ---- ±.02 ANGLES ---- ±1°  
 .XX ---- ±.01  
 .XXX ---- ±.005  
 .XXXX ---- ±.0005

INTERPRET DIMENSIONS AND TOLERANCES PER ASME Y14.5M-1994

**DO NOT SCALE DRAWING**

THIRD ANGLE PROJECTION

MATERIAL:

CHEM. FINISH:

DRAWN BY: W JOHNSON  
 DATE: 1/10/07  
 APPROVAL:

PROPRIETARY NOTICE: THIS DRAWING IS CONFIDENTIAL AND THE INFORMATION THEREON SHALL NOT BE COPIED NOR UTILIZED IN ANY WAY WITHOUT PERMISSION FROM MELLES GRIOT ROCHESTER. DRAWING TO BE RETURNED UPON REQUEST.

**MELLES GRIOT**  
 OPTICS GROUP  
 55 SCIENCE PARKWAY, ROCHESTER, N.Y. 14620

TITLE: SYSTEM DRAWING-#1 EXTREME SERVICE SHUTTER, NORMALLY CLOSED W/CONTROLLER CABLE, 12V

SIZE	DWG. NO.	REV.	P NO.
B	25530-S/04ESC121	A	

SCALE: 1:1 PATH: J:\ SHEET 1 OF 1