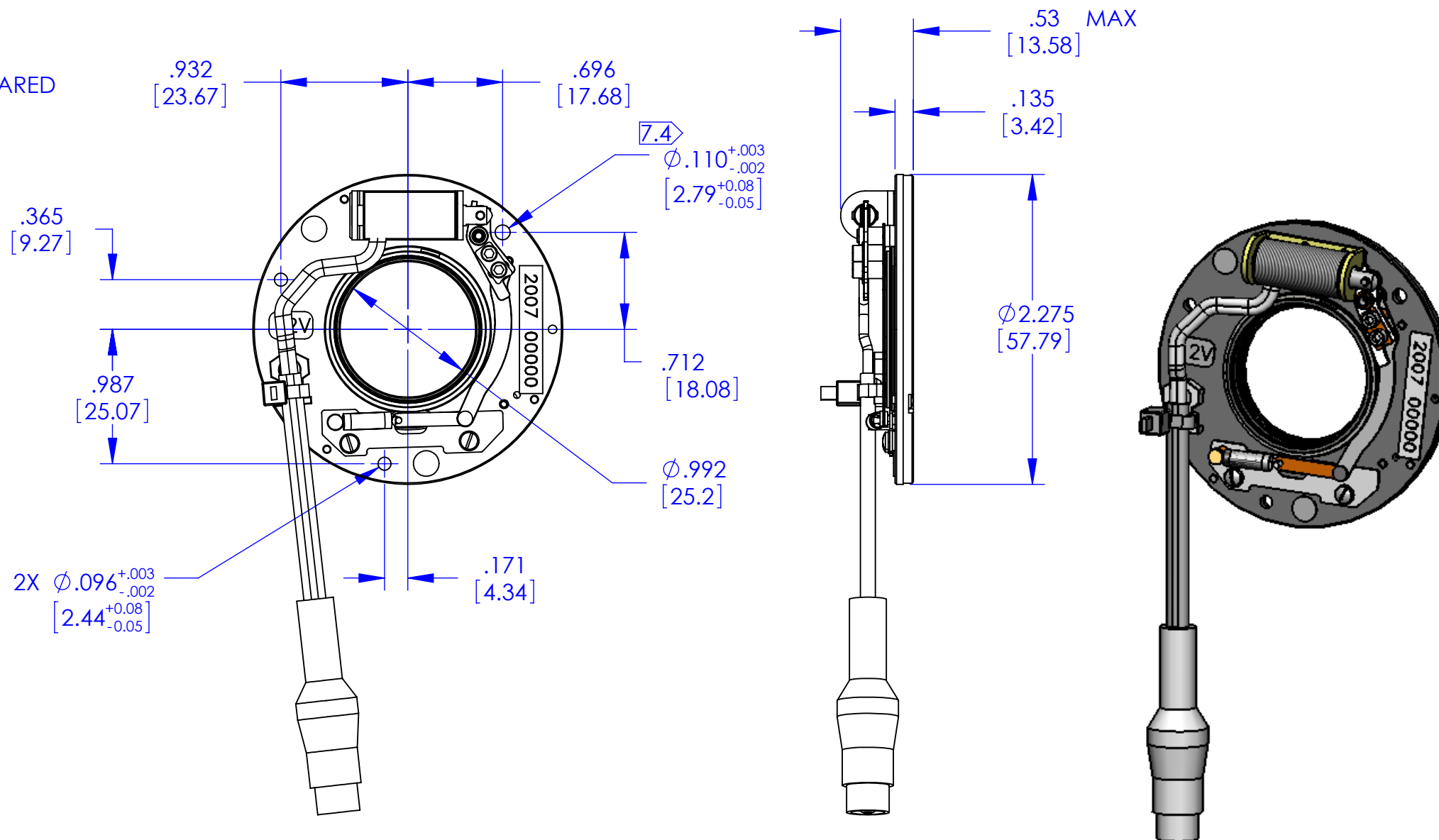


REVISION HISTORY						
ZONE	REV.	BY	DESCRIPTION	DATE	ECO	APPROVAL
	A	WJ	RELEASED FOR PRODUCTION	1/10/2007		

NOTES:

- 1.0 DESCRIPTION: EXTREME SERVICE SHUTTER FOR HARSH ENVIRONMENTAL CONDITIONS, NORMALLY OPEN, 12 VOLT, WITH CORD FOR CONNECTION TO MELLES GRIT SHUTTER CONTROLLER.
- 2.0 CLEAR APERTURE: .992 [25.2]
- 3.0 MAXIMUM SPEED: 1/60 SEC.
- 4.0 SHUTTER BLADES:
 - 4.1 NUMBER: 5
 - 4.2 COATING: COATED FOR HIGH EMISSIVITY IN THE INFRARED SPECTRAL REGION
- 5.0 ELECTRICAL:
 - 5.1 RATED SOLENOID VOLTAGE: 12VDC
 - 5.2 PEAK PULSE CURRENT: 1.0A
 - 5.3 RESISTANCE: 50 OHMS, NOMINAL
 - 5.4 INDUCTANCE: 55 mH, NOMINAL
 - 5.5 HOLDING CURRENT: 120mA
 - 5.6 POWER CORD LENGTH: 12 [305]
- 6.0 OPERATING TEMPERATURE: -40°C TO +70°C
- 7.0 SHUTTER MOUNTING:
 - 7.1 SUGGESTED MOUNTING SCREWS: #2 (INCH) OR M2 (METRIC) SOCKET HEAD CAP SCREWS.
 - 7.2 MAXIMUM SCREW TORQUE: 25 OZ.-IN.
 - 7.3 DO NOT USE LIQUID THREAD LOCKER. (DUE TO RISK OF SHUTTER CONTAMINATION)
 - 7.4 VERIFY MOUNTING SCREW IN THIS AREA DOES NOT INTERFERE WITH THE SHUTTER DRIVE COMPONENTS IN THE ACTUATED OR UNACTUATED CONDITION.
- 8.0 DIMENSIONS ARE IN: INCHES [MILLIMETERS]
- 9.0 UNLESS OTHERWISE NOTED, ALL DIMENSIONS ARE NOMINAL.



UNLESS OTHERWISE SPECIFIED:
 ALL DIMENSIONS ARE IN INCHES
 DIMENSIONS APPLY AFTER FINISH
 BREAK SHARP EDGES: 0.005 X 45°
 MAX FILE RADIUS: 0.010
 SURFACE FINISH: 32 \sqrt

TOLERANCES:
 .X ---- ±.02 ANGLES ---- ±1°
 .XX ---- ±.01
 .XXX ---- ±.005
 .XXXX ---- ±.0005

INTERPRET DIMENSIONS AND TOLERANCES PER ASME Y14.5M-1994

DO NOT SCALE DRAWING

THIRD ANGLE PROJECTION

MATERIAL:

CHEM. FINISH:

DRAWN BY: W JOHNSON
 DATE: 1/10/07
 APPROVAL:

PROPRIETARY NOTICE: THIS DRAWING IS CONFIDENTIAL AND THE INFORMATION THEREON SHALL NOT BE COPIED NOR UTILIZED IN ANY WAY WITHOUT PERMISSION FROM MELLES GRIT ROCHESTER. DRAWING TO BE RETURNED UPON REQUEST.

MELLES GRIT
 OPTICS GROUP
 55 SCIENCE PARKWAY, ROCHESTER, N.Y. 14620

TITLE: SYSTEM DWG-#1ESUT, NO, 12V WITH CONTROLLER CABLE

SIZE	DWG. NO.	REV.	P NO.
B	25500-S/04ESO121	A	

SCALE: 1:1 J:\ILEX255\25500-S.SLDDRW SHEET 1 OF 1