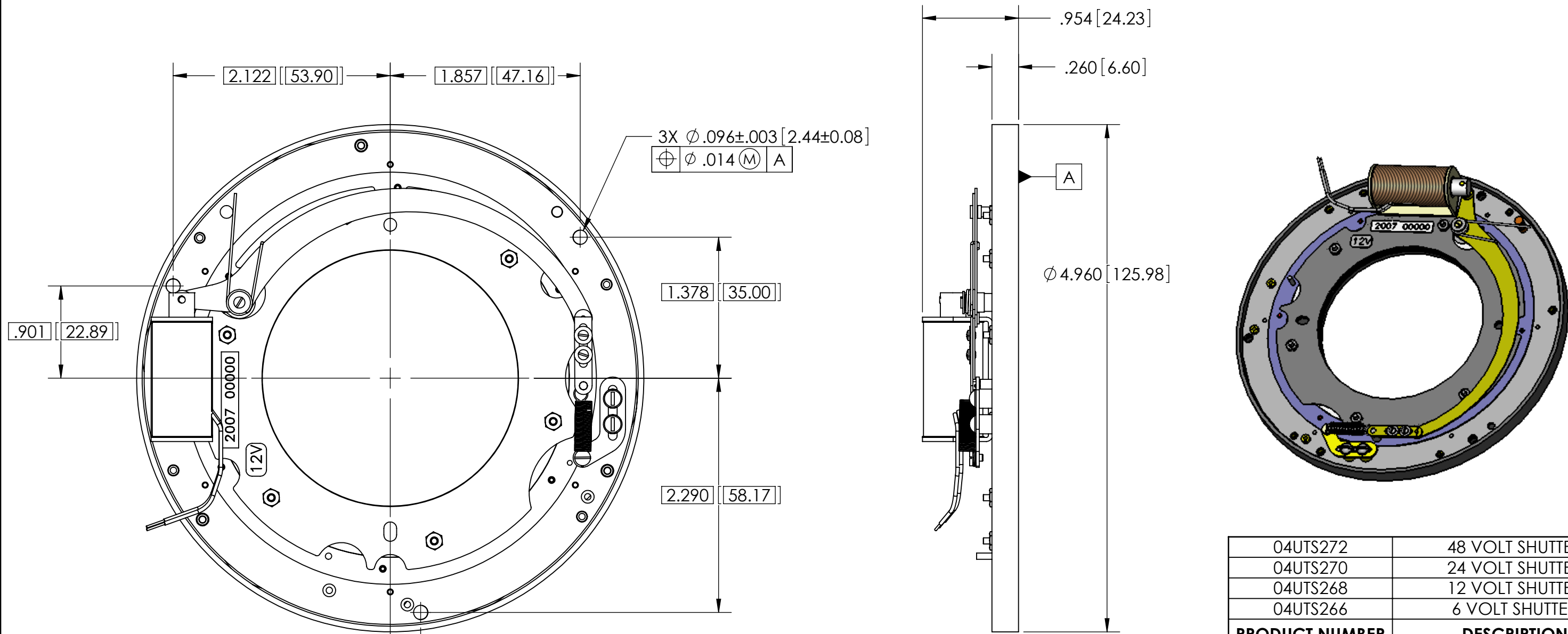


NOTES:

- 1.0 SPECIFICATIONS:
 - 1.1 MAXIMUM APERTURE: 63.5mm
 - 1.2 WIRE LENGTH: 12.0 [305]
 - 1.3 NUMBER OF SHUTTER BLADES: 6
- 2.0 DIMENSIONS ARE IN: INCH [MILLIMETERS]
- 3.0 AVAILABLE SOLENOID VOLTAGES: SEE CHART

REVISION HISTORY						
ZONE	REV.	BY	DESCRIPTION	DATE	ECO	APPROVAL
	C	WJ	WIRE LENGTH WAS 7", .954[24.23] WAS 1.033[26.24]	6/8/00	2160	
	D	WJ	REVISED DELINEATION OF DRIVE LEVER AND BLADE RING, REMOVED PRODUCT NUMBER	4/15/03	2577	
	E	WJ	ADDED CATALOG PART NUMBER TABLE	6/8/2007	3236	



04UTS272	48 VOLT SHUTTER
04UTS270	24 VOLT SHUTTER
04UTS268	12 VOLT SHUTTER
04UTS266	6 VOLT SHUTTER
PRODUCT NUMBER	DESCRIPTION

INTERPRET DIMENSIONS AND TOLERANCES PER ASME Y14.5M-1994	MATERIAL:
DO NOT SCALE DRAWING	CHEM. FINISH:
THIRD ANGLE PROJECTION	DRAWN BY: W JOHNSON DATE: 5/11/98 APPROVAL:
PROPRIETARY NOTICE: THIS DRAWING IS CONFIDENTIAL AND THE INFORMATION THEREON SHALL NOT BE COPIED NOR UTILIZED IN ANY WAY WITHOUT PERMISSION FROM CVI MELLES GRIOT ROCHESTER. DRAWING TO BE RETURNED UPON REQUEST.	

CVI Melles Griot
55 SCIENCE PARKWAY, ROCHESTER, N.Y. 14620

TITLE: **SYSTEM DRAWING, #5 ULTRA THIN (NO)**

SIZE B	DWG. NO. 24860-S	REV. E	P NO.
SCALE: 1:1			SHEET 1 OF 1