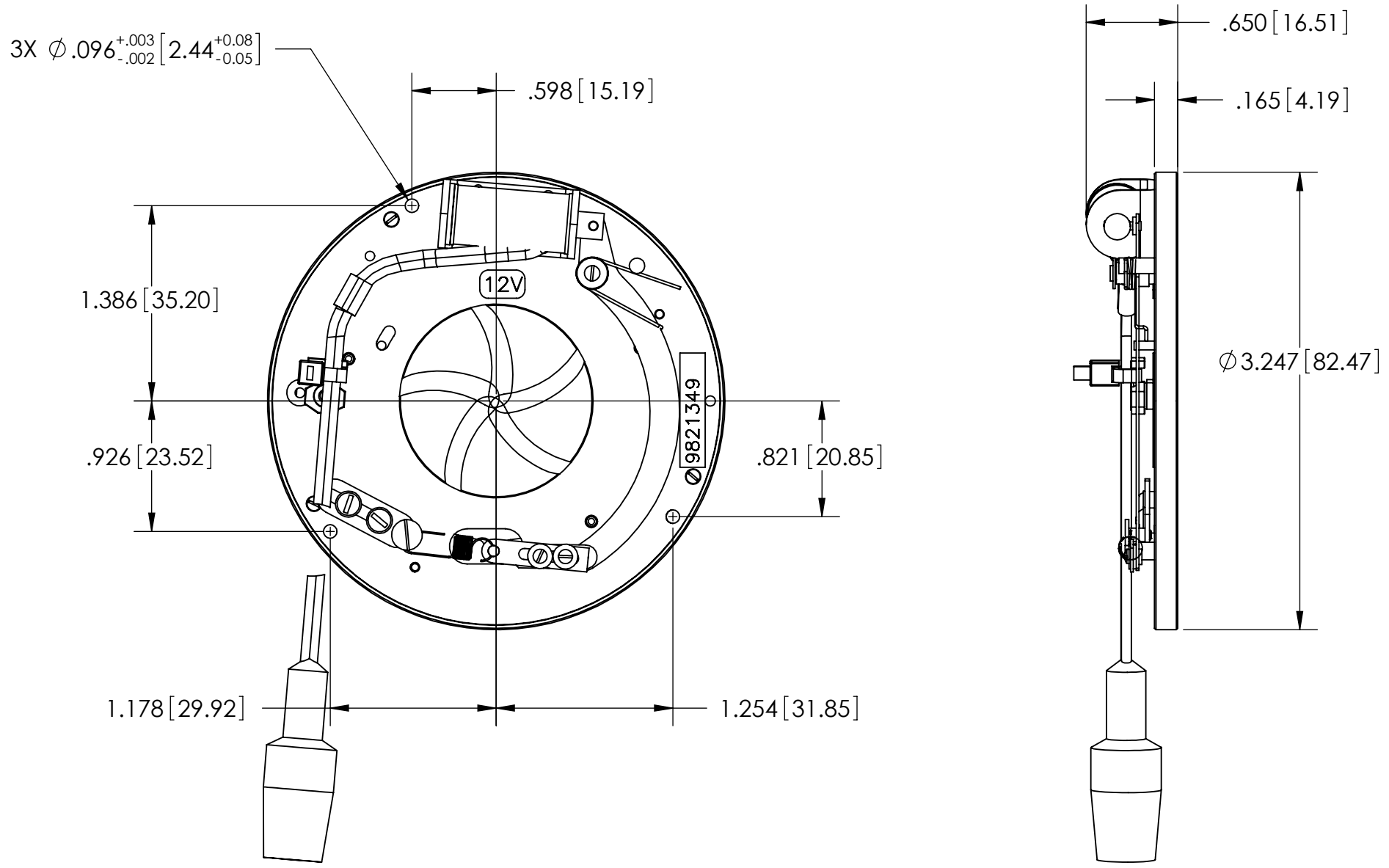
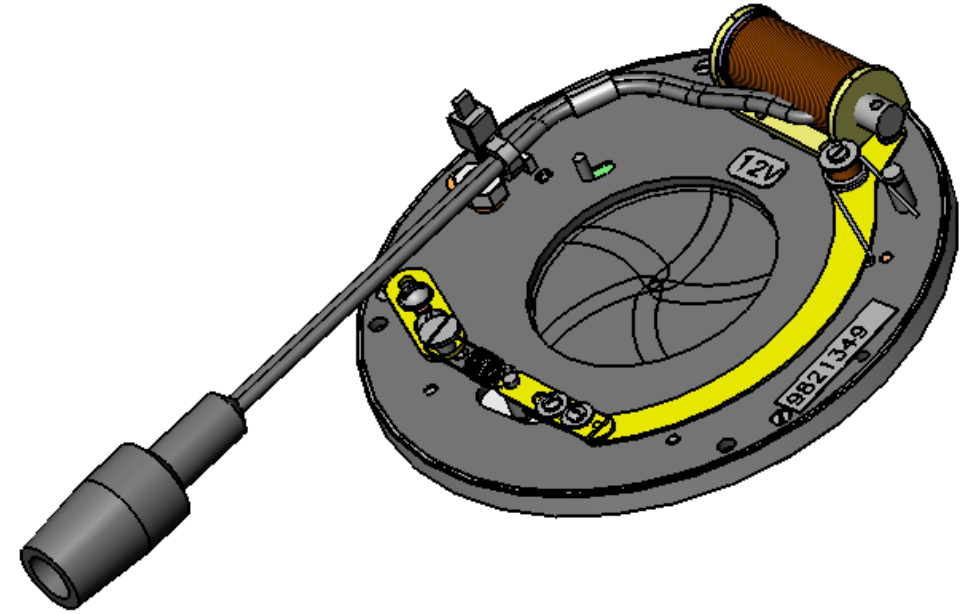


REVISION HISTORY						
ZONE	REV.	BY	DESCRIPTION	DATE	ECO	APPROVAL
	A	WJ	RELEASED FOR PRODUCTION	9/7/99		

NOTED:

- 1.0 SPECIFICATIONS:
  - 1.1 MAXIMUM APERTURE 34.9mm.
  - 1.2 POWER CORD LENGTH 9.0 [228.0]
  - 1.3 NUMBER OF SHUTTER BLADES: 5
  - 1.4 SOLENOID VOLTAGE: 12 VOLTS.

2.0 DIMENSIONS IN INCHES: INCHES [MILLIMETERS]



PRODUCT NUMBER: 04UTS203

INTERPRET DIMENSIONS AND TOLERANCES PER ASME Y14.5M-1994	MATERIAL: .
DO NOT SCALE DRAWING	CHEM. .
THIRD ANGLE PROJECTION	FINISH: .
	DRAWN BY: W JOHNSON
	DATE: 9/27/99
	APPROVAL: .
PROPRIETARY NOTICE: THIS DRAWING IS CONFIDENTIAL AND THE INFORMATION THEREON SHALL NOT BE COPIED NOR UTILIZED IN ANY WAY WITHOUT PERMISSION FROM CVI MELLES GRIOT ROCHESTER. DRAWING TO BE RETURNED UPON REQUEST.	

**CVI Melles Griot**  
55 SCIENCE PARKWAY, ROCHESTER, N.Y. 14620

TITLE: SYSTEM DRAWING, SHUTTER, #3 ULTRA THIN (NC) 12V, WITH POWER CORD

SIZE	DWG. NO.	REV.	P NO.
B	24380-S	A	
SCALE: 1:1	J:\	SHEET 1 OF 1	