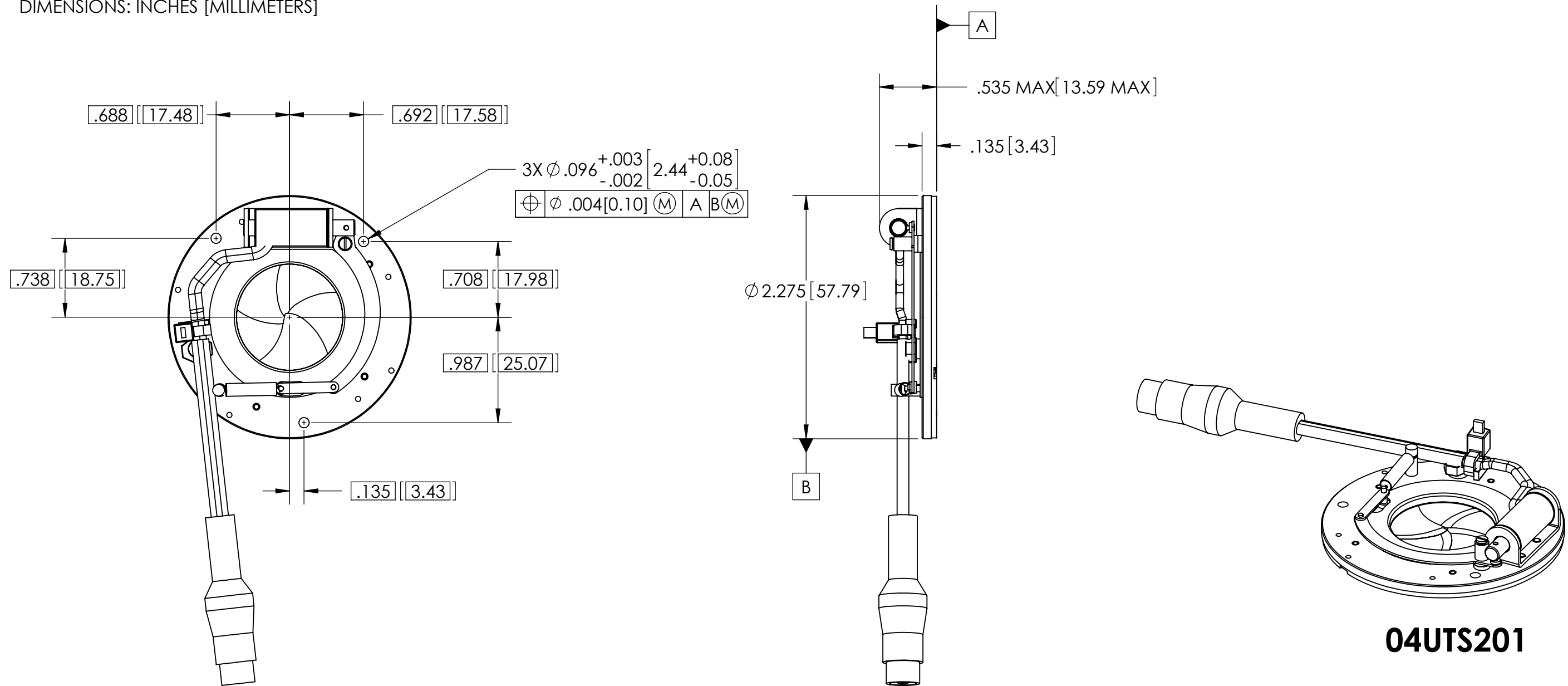


REVISION HISTORY						
ZONE	REV.	BY	DESCRIPTION	DATE	ECO	APPROVAL
	A	WJ	RELEASE FOR PRODUCTION	4/2/01		

NOTES:

- 1.0 SPECIFICATIONS:
 - 1.1 MAXIMUM APERTURE: 25.2mm
 - 1.2 POWER CORD LENGTH: 9.0 [288.6]
 - 1.3 NUMBER OF SHUTTER BLADES: 5
 - 1.4 SOLENOID VOLTAGE: 12
- 2.0 DIMENSIONS: INCHES [MILLIMETERS]



INTERPRET DIMENSIONS AND TOLERANCES PER ASME Y14.5M-1994	MATERIAL:
DO NOT SCALE DRAWING	CHEM. FINISH:
THIRD ANGLE PROJECTION	DRAWN BY: W JOHNSON DATE: 8/17/99 APPROVAL:
PROPRIETARY NOTICE: THIS DRAWING IS CONFIDENTIAL AND THE INFORMATION THEREON SHALL NOT BE COPIED NOR UTILIZED IN ANY WAY WITHOUT PERMISSION FROM CVI MELLES GRIOT ROCHESTER. DRAWING TO BE RETURNED UPON REQUEST.	

55 SCIENCE PARKWAY, ROCHESTER, N.Y. 14620			
TITLE: SYSTEM DRAWING, #1 ULTRA THIN SHUTTER, 12V, NOR. CLOSED, WITH POWER CORD			
SIZE	DWG. NO.	REV.	P NO.
B	24340-S	A	
SCALE: 1:1		SHEET 1 OF 1	