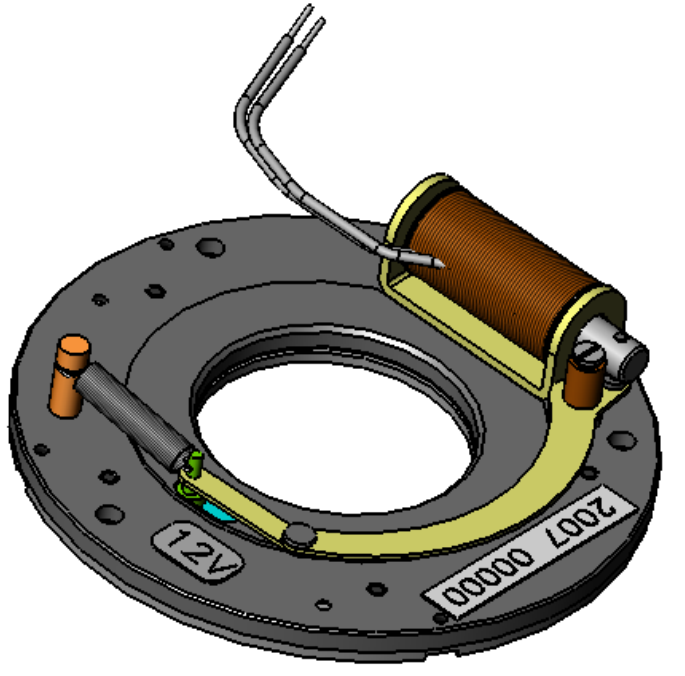
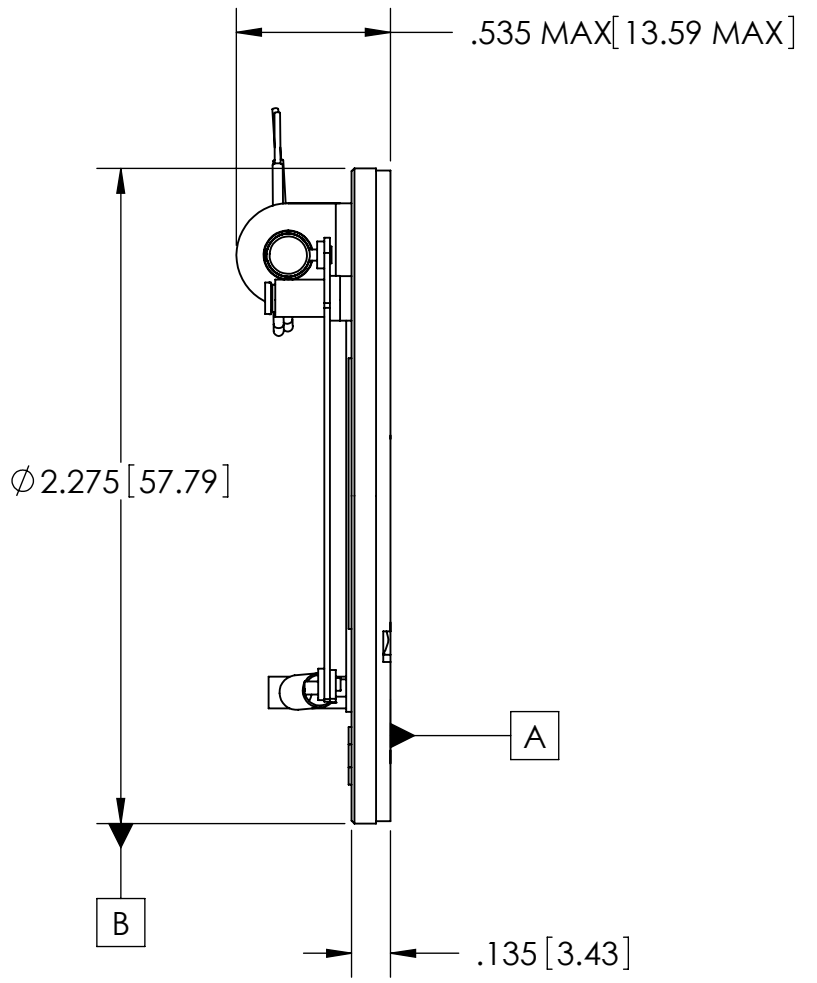
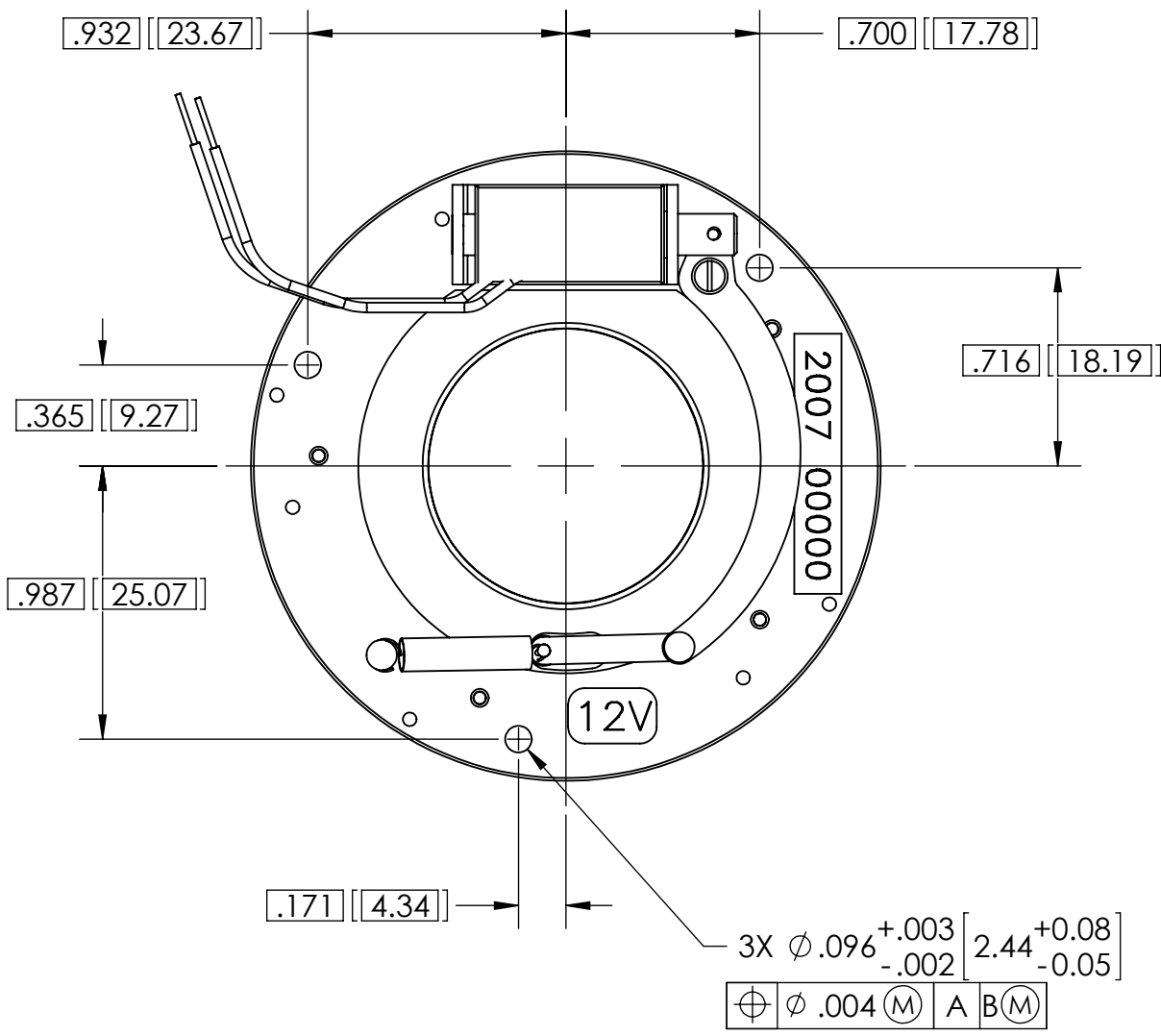


NOTES:

- 1.0 SPECIFICATIONS:
  - 1.1 MAXIMUM APERTURE: 25.2mm
  - 1.2 WIRE LENGTH: 2.0 [50.8]
  - 1.3 NUMBER OF BLADES: 5
- 2.0 UNLESS OTHERWISE SPECIFIED:
  - 2.1 DIMENSIONS ARE IN: INCHES [MILLIMETERS]
- 3.0 AVAILABLE VOLTAGES: PER CHART

REVISION HISTORY						
ZONE	REV.	BY	DESCRIPTION	DATE	ECO	APPROVAL
	A	WJ	RELEASE FOR PRODUCTION	8/11/99		
	B	WJ	ADDED CATALOG PART NUMBER TABLE	6/7/07	3236	



04UTS224	48 VOLT SHUTTER
04UTS222	24 VOLT SHUTTER
04UTS220	12 VOLT SHUTTER
04UTS218	6 VOLT SHUTTER
04UTS216	3 VOLT SHUTTER

PRODUCT NUMBER	DESCRIPTION
----------------	-------------



55 SCIENCE PARKWAY, ROCHESTER, N.Y. 14620

TITLE: SYSTEM DRAWING, SHUTTER, #1  
ULTRA THIN (NO)

INTERPRET DIMENSIONS AND TOLERANCES PER ASME Y14.5M-1994	MATERIAL:
<b>DO NOT SCALE DRAWING</b>	CHEM. FINISH:
THIRD ANGLE PROJECTION	DRAWN BY: W JOHNSON DATE: 8/16/99 APPROVAL:

PROPRIETARY NOTICE: THIS DRAWING IS CONFIDENTIAL AND THE INFORMATION THEREON SHALL NOT BE COPIED NOR UTILIZED IN ANY WAY WITHOUT PERMISSION FROM CVI MELLES GRIOT ROCHESTER. DRAWING TO BE RETURNED UPON REQUEST.

SIZE	DWG. NO.	REV.	P NO.
<b>B</b>	<b>24330-S</b>	<b>B</b>	
SCALE: 3:2			SHEET 1 OF 1