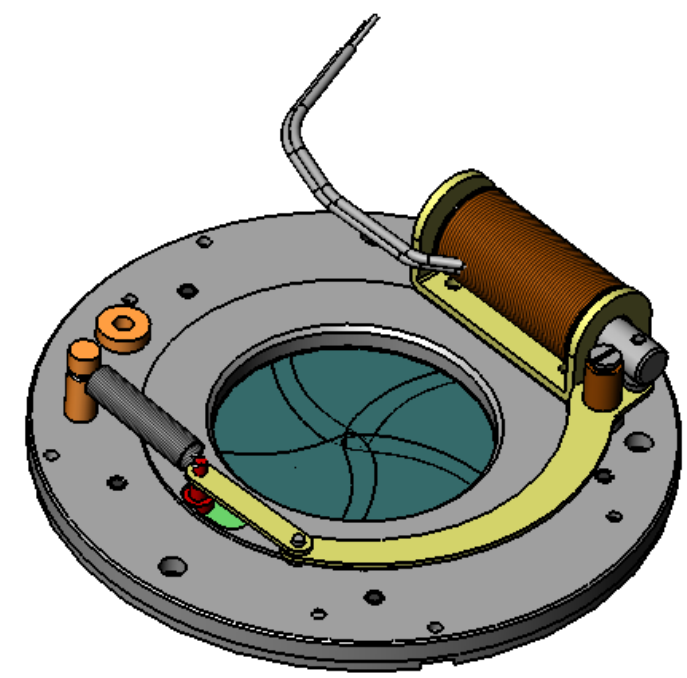
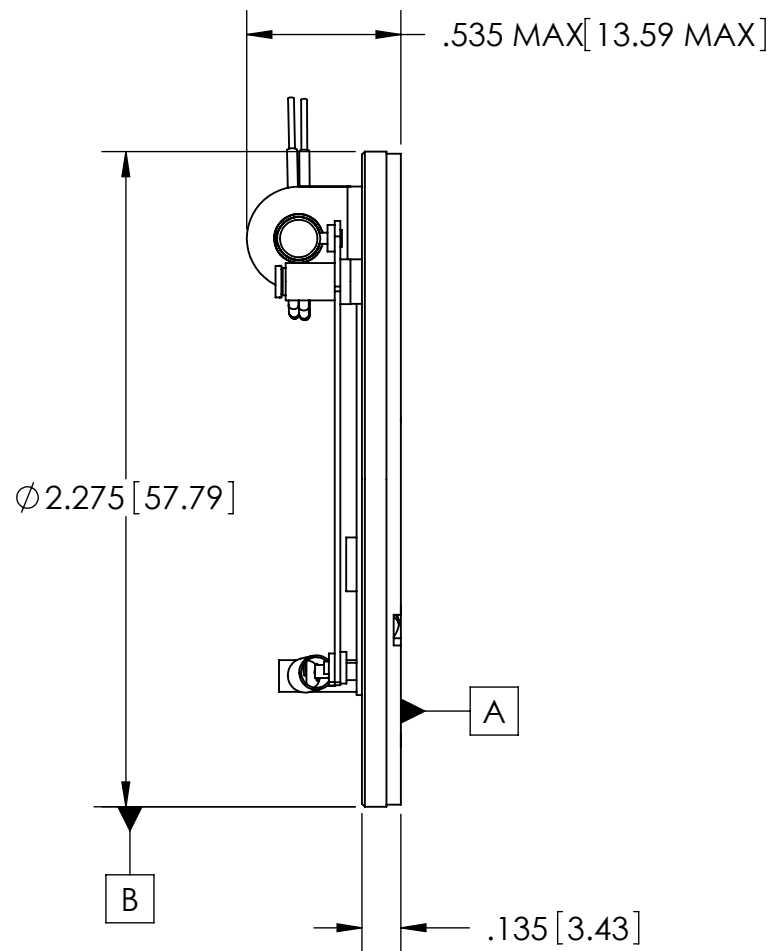
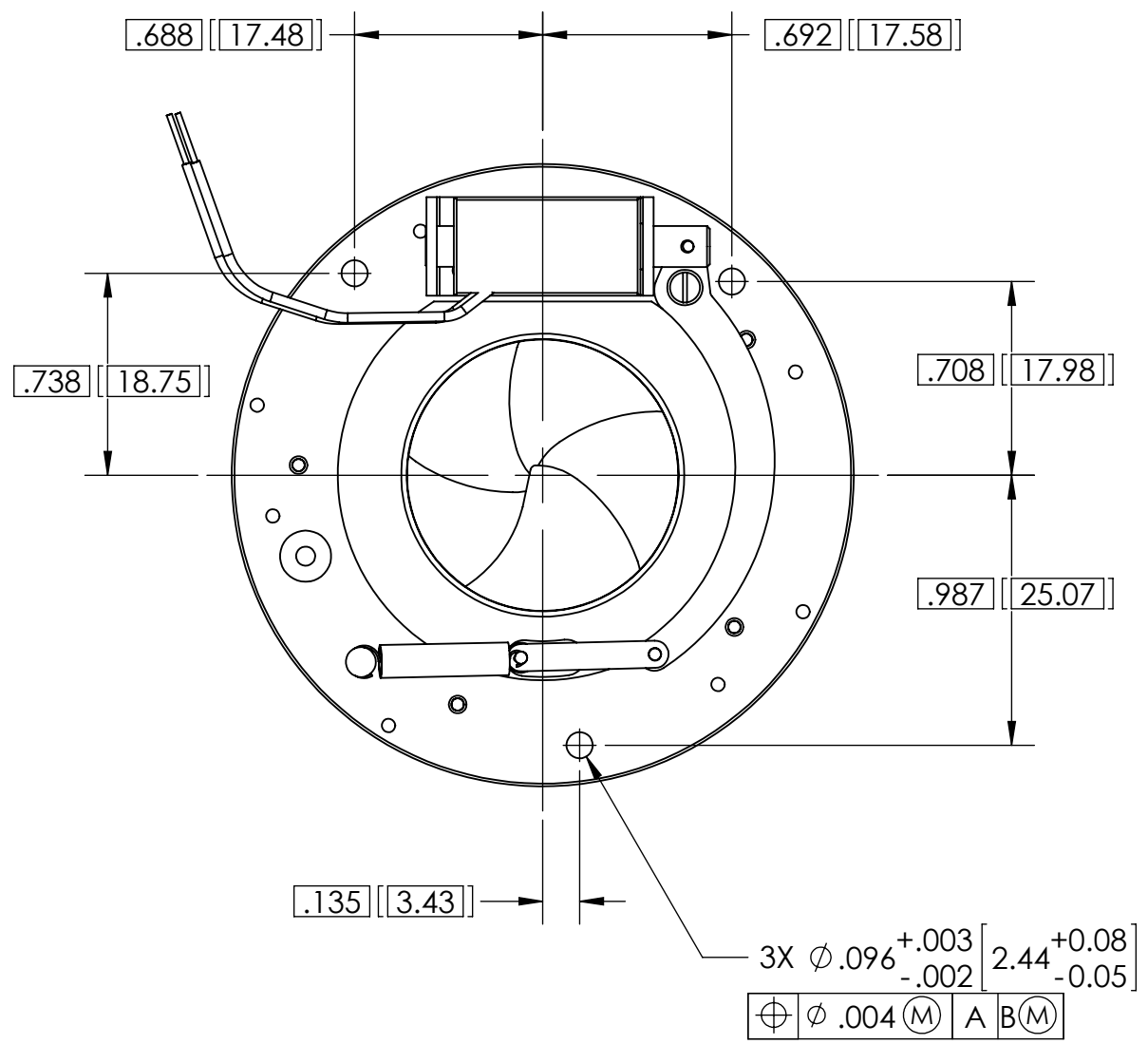


REVISION HISTORY

ZONE	REV.	BY	DESCRIPTION	DATE	ECO	APPROVAL
	A	WJ	RELEASE FOR PRODUCTION	8/11/09		
	B	WJ	ADDED CATALOG PART NUMBER TABLE	6/7/07	3236	

NOTES:

- 1.0 SPECIFICATIONS:
  - 1.1 MAXIMUM APERTURE: 25.2mm
  - 1.2 WIRE LENGTH: 2.0 [50.8]
  - 1.3 NUMBER OF BLADES: 5
- 2.0 UNLESS OTHERWISE SPECIFIED:
  - 2.1 DIMENSIONS ARE IN: INCHES [MILLIMETERS]
- 3.0 AVAILABLE VOLTAGES: PER CHART



04UTS214	48 VOLT SHUTTER
04UTS212	24 VOLT SHUTTER
04UTS210	12 VOLT SHUTTER
04UTS208	6 VOLT SHUTTER
04UTS206	3 VOLT SHUTTER

PRODUCT NUMBER DESCRIPTION



TITLE: SYSTEM DRAWING, SHUTTER, #1 ULTA THIN (NC)

INTERPRET DIMENSIONS AND TOLERANCES PER ASME Y14.5M-1994	MATERIAL:
<b>DO NOT SCALE DRAWING</b>	CHEM. FINISH:
THIRD ANGLE PROJECTION	DRAWN BY: W JOHNSON DATE: 7/22/99 APPROVAL:

PROPRIETARY NOTICE: THIS DRAWING IS CONFIDENTIAL AND THE INFORMATION THEREON SHALL NOT BE COPIED NOR UTILIZED IN ANY WAY WITHOUT PERMISSION FROM CVI MELLES GRIOT ROCHESTER. DRAWING TO BE RETURNED UPON REQUEST.

SIZE	DWG. NO.	REV.	P NO.
<b>B</b>	<b>24320-S</b>	<b>B</b>	

SCALE: 3:2 SHEET 1 OF 1