

4

3

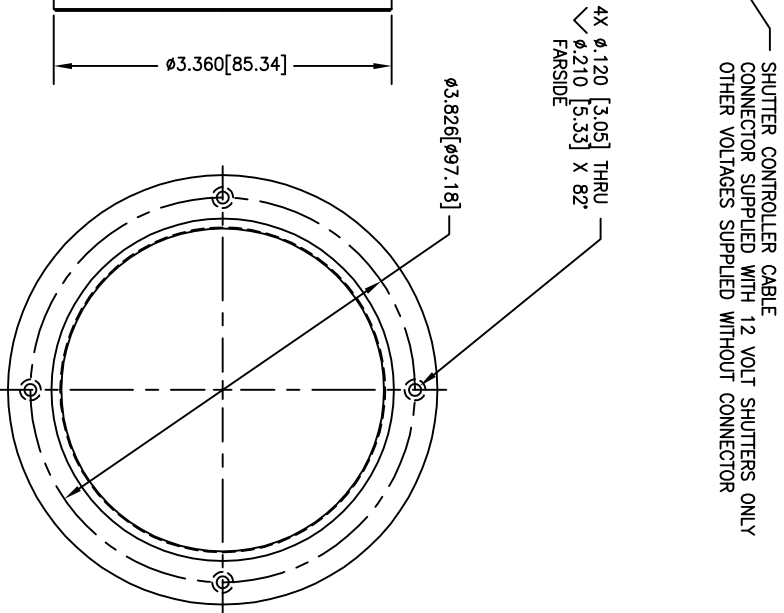
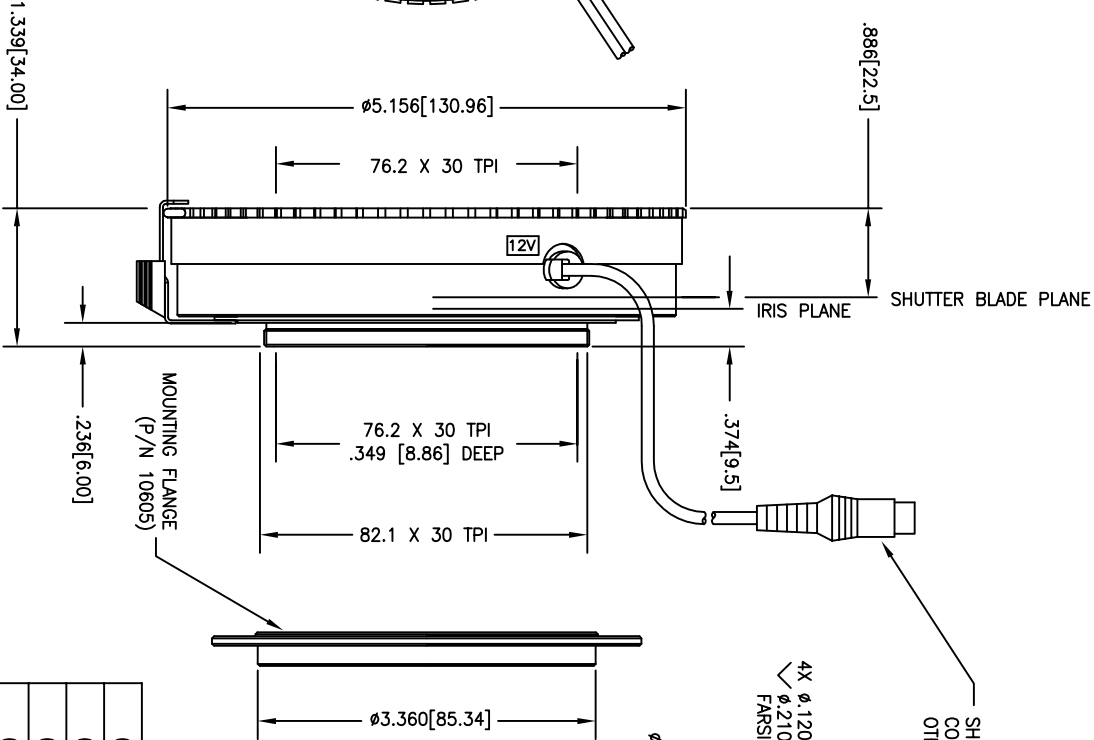
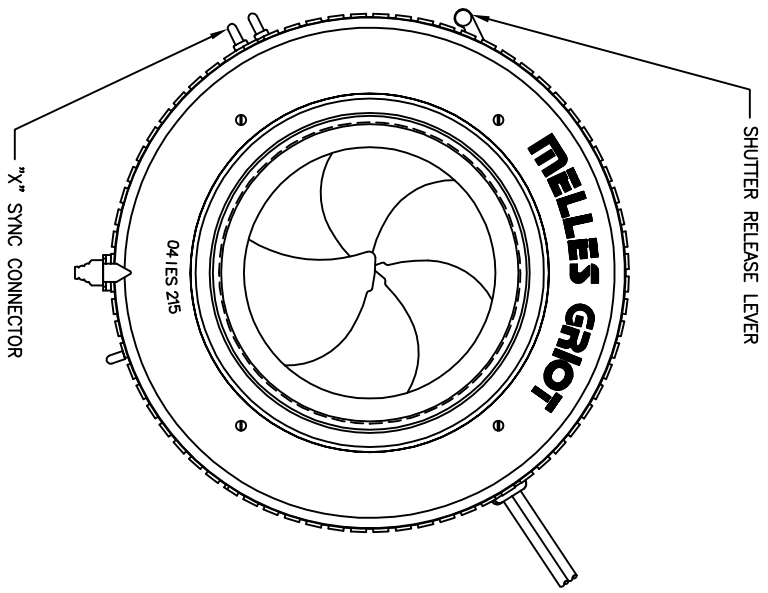
2

1

REVISION HISTORY

| ZONE | REV | BY | DESCRIPTION              | DATE    | ECO  | APP. BY | DATE |
|------|-----|----|--------------------------|---------|------|---------|------|
|      | X1  | WJ | PRELIMINARY              | 9/31/98 |      |         |      |
| A    | WJ  |    | RELEASED FOR PRODUCTION  | 9/31/98 |      |         |      |
| B    | WJ  |    | ADDED MODEL NUMBER TABLE | 6/6/07  | 3236 |         |      |

- NOTES:
- 1.0 SPECIFICATIONS:
    - 1.1 MAXIMUM APERTURE: 63.5mm
    - 1.2 MINIMUM APERTURE: 5.1mm
    - 1.3 CABLE LENGTH: 9.0 [288.6]
    - 1.4 NUMBER OF SHUTTER BLADES: 6
    - 1.5 NUMBER OF IRIS LEAVES: 12
  - 2.0 DIMENSIONS: INCH [MILLIMETERS]
  - 3.0 AVAILABLE SOLENOID VOLTAGES:
    - 6 VOLTS
    - 12 VOLTS (WITH CONTROLLER CABLE)
    - 24 VOLTS
    - 48 VOLTS



| PRODUCT NO. | DESCRIPTION                    |
|-------------|--------------------------------|
| 04IES240    | 48 VOLT SHUTTER W/O CONNECTOR  |
| 04IES238    | 24 VOLT SHUTTER W/O CONNECTOR  |
| 04IES236    | 6 VOLT SHUTTER W/O CONNECTOR   |
| 04IES215    | 12 VOLT SHUTTER WITH CONNECTOR |

**MELLES GRIOT**  
 ROCHESTER SCIENCE PARKWAY  
 ROCHESTER NY 14620

DRFTER: W JOHNSON  
 DATE: 8/31/98

CHECKED BY: \_\_\_\_\_  
 DATE: \_\_\_\_\_

P NO. TITLE: SYSTEM DRAWING, #5 STANDARD SHUTTER  
 SIZE DWG. NO. 24180-S  
 SCALE: 1/1 PPTH: J:\ILEX24\24180-S.DWG

SHEET 1 OF 1