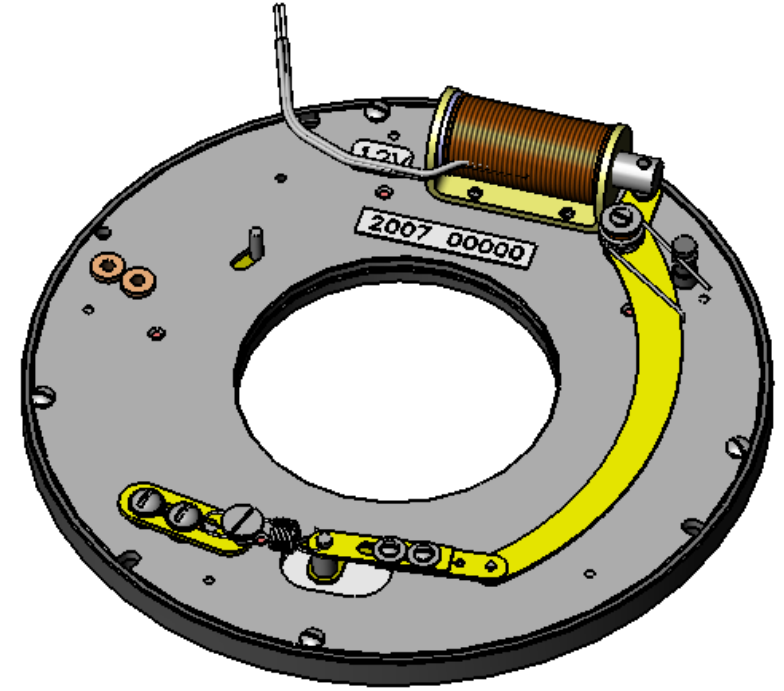
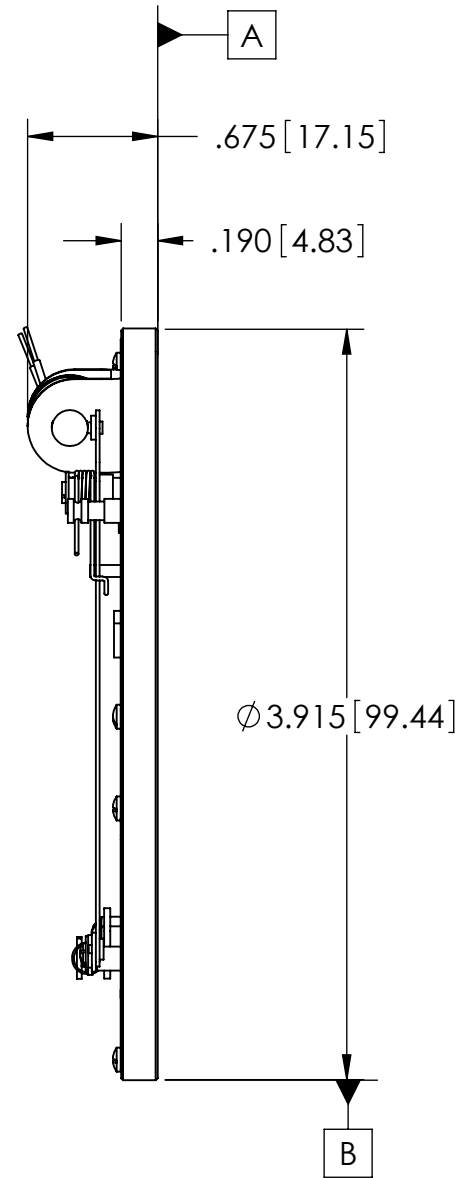
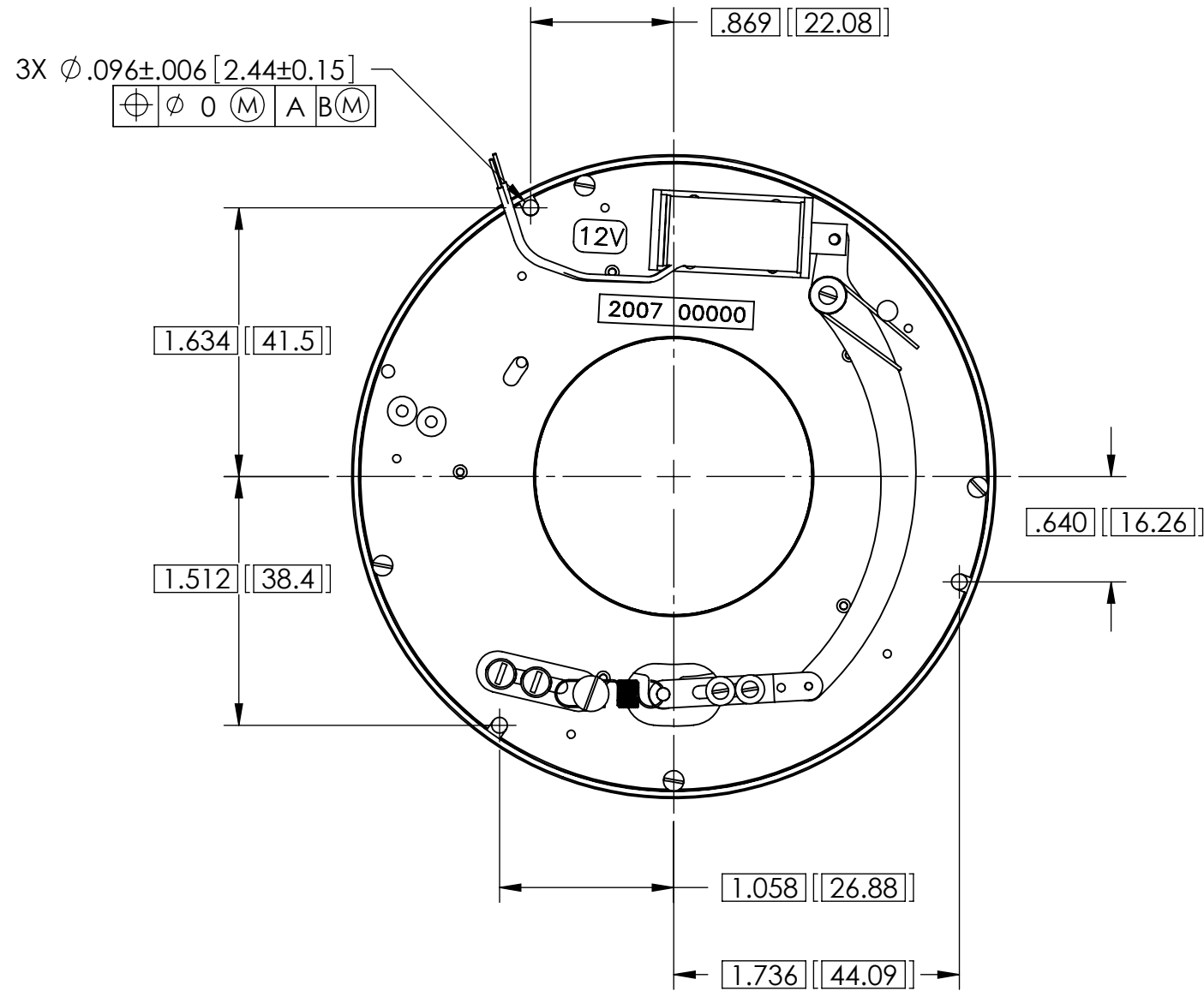


REVISION HISTORY

ZONE	REV.	BY	DESCRIPTION	DATE	ECO	APPROVAL
	E	WJ	REDIMENSIONED HOLE PATTERN USING COORDINATE DIMENSIONS	8/24/99	1979	
	F	WJ	ADDED CATALOG MODEL TABLE	6/7/07	3236	

NOTES:

- 1.0 SPECIFICATIONS:
 - 1.1 MAXIMUM APERTURE: 42.7mm
 - 1.2 CORD LENGTH: 3.0 [76]
 - 1.3 NUMBER OF SHUTTER BLADES: 5
- 2.0 DIMENSIONS ARE IN: INCHES[MILLIMETERS]
- 3.0 SOLENOID VOLTAGE: SEE CHART



04UTS256	48 VOLT SHUTTER
04UTS254	24 VOLT SHUTTER
04UTS252	12 VOLT SHUTTER
04UTS250	6 VOLT SHUTTER
PRODUCT NUMBER	DESCRIPTION

INTERPRET DIMENSIONS AND TOLERANCES PER ASME Y14.5M-1994	MATERIAL:
DO NOT SCALE DRAWING	CHEM. FINISH:
THIRD ANGLE PROJECTION	DRAWN BY: W JOHNSON DATE: 7/16/97 APPROVAL:
PROPRIETARY NOTICE: THIS DRAWING IS CONFIDENTIAL AND THE INFORMATION THEREON SHALL NOT BE COPIED NOR UTILIZED IN ANY WAY WITHOUT PERMISSION FROM CVI MELLES GRIOT ROCHESTER. DRAWING TO BE RETURNED UPON REQUEST.	

CVI Melles Griot
55 SCIENCE PARKWAY, ROCHESTER, N.Y. 14620

TITLE: **SYSTEM DRAWING, #4 ULTRA THIN SHUTTER (NO)**

SIZE	DWG. NO.	REV.	P NO.
B	24080-S	F	

SCALE: 1:1 SHEET 1 OF 1